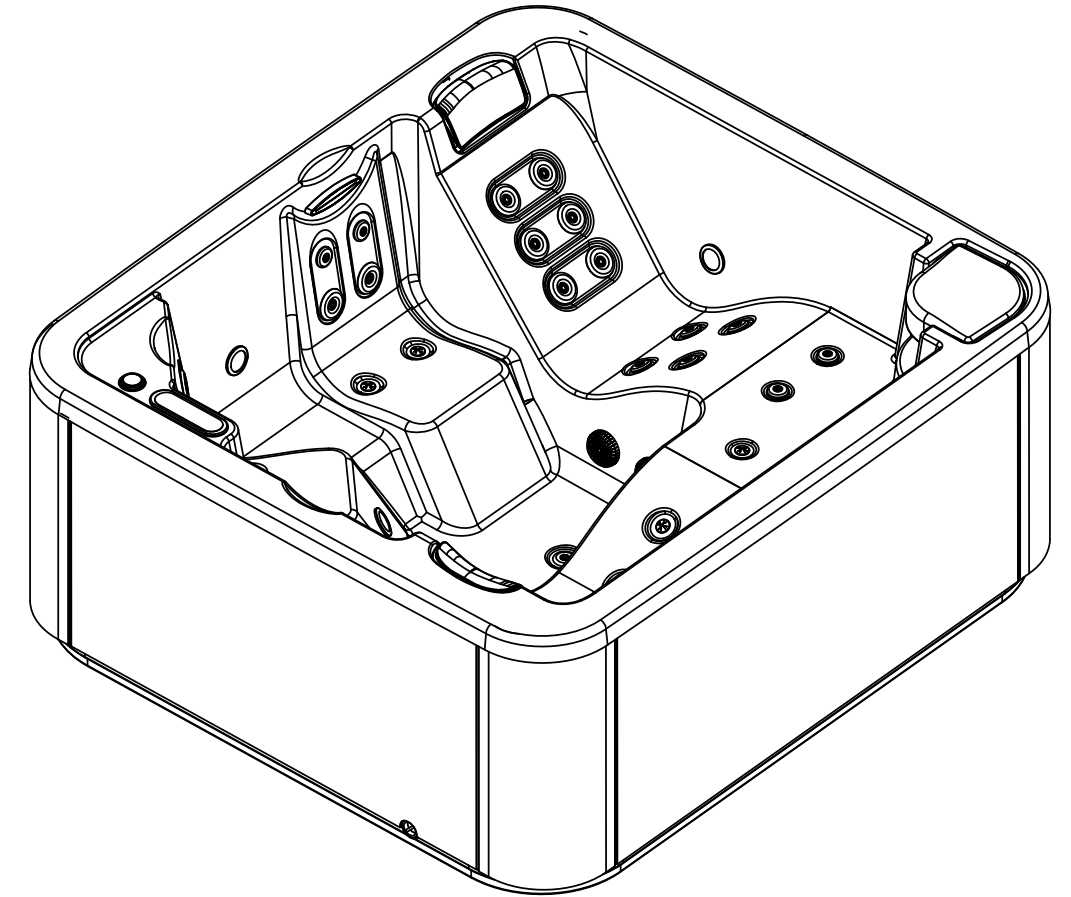


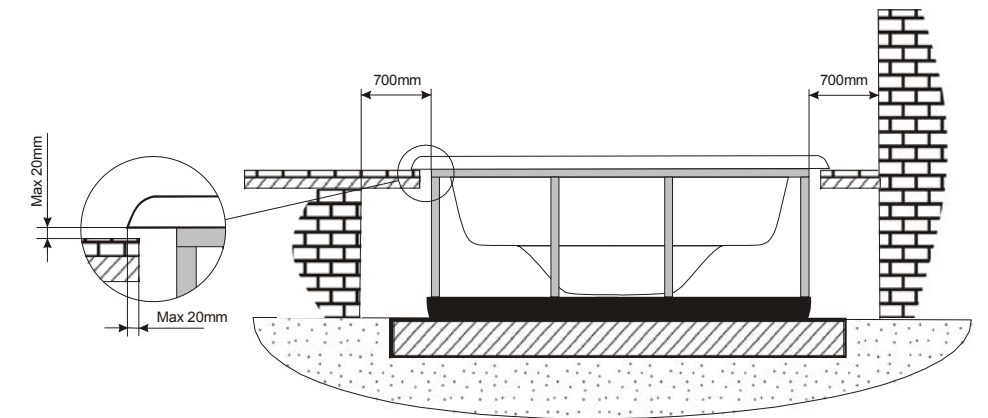
ELECTRICAL BOARD CONNECTIONS ACCESS




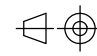
Inground option

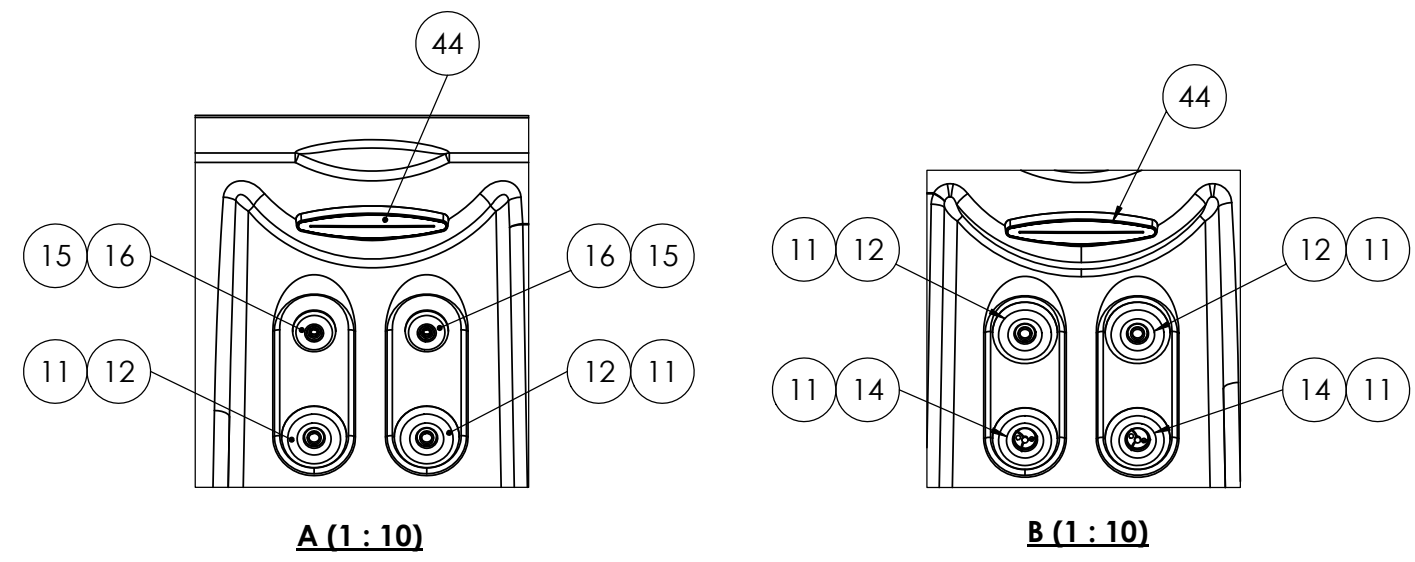
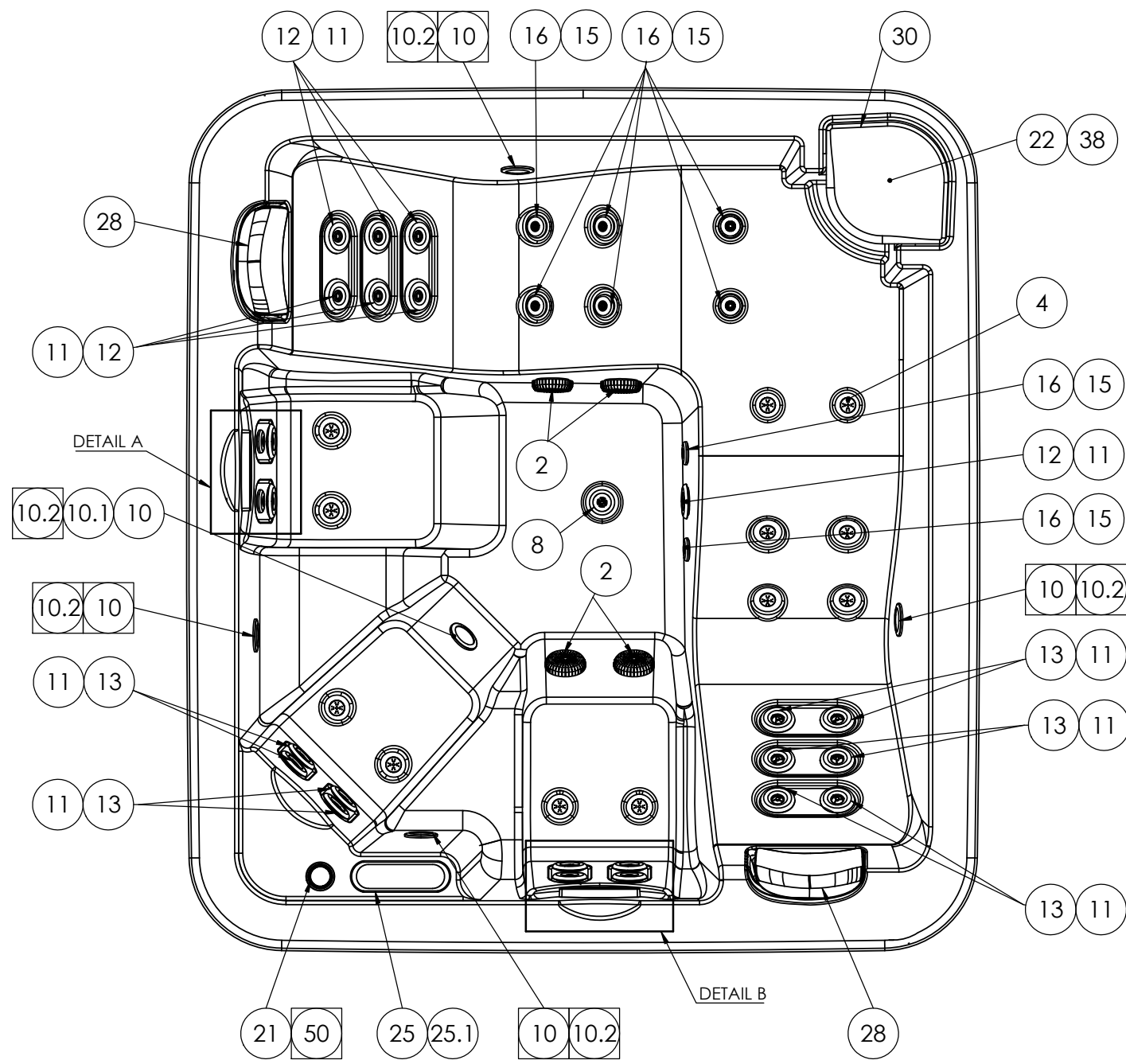
WARNING:

It's essential to keep a minimum clearance access of **700mm** all around.

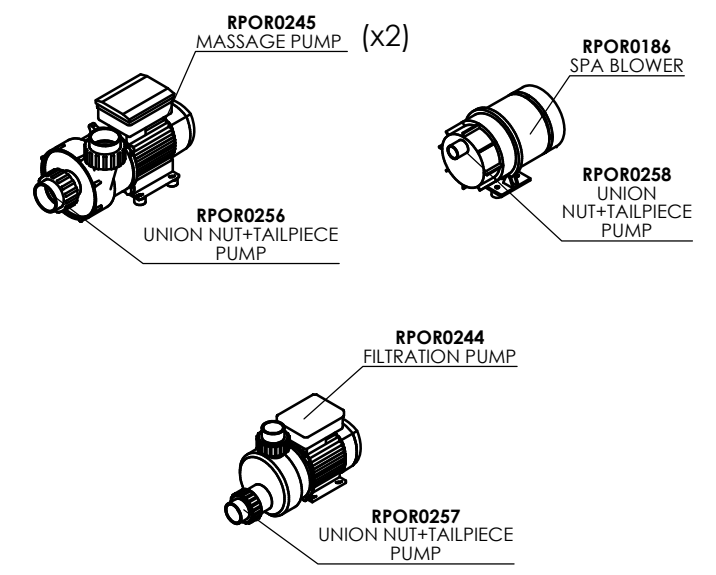


According to our policy of continuous improvement, dimensions, features or components of this product can be partially or completely changed without prior notice. It's Customer responsibility to verify that this is the last version of the drawing

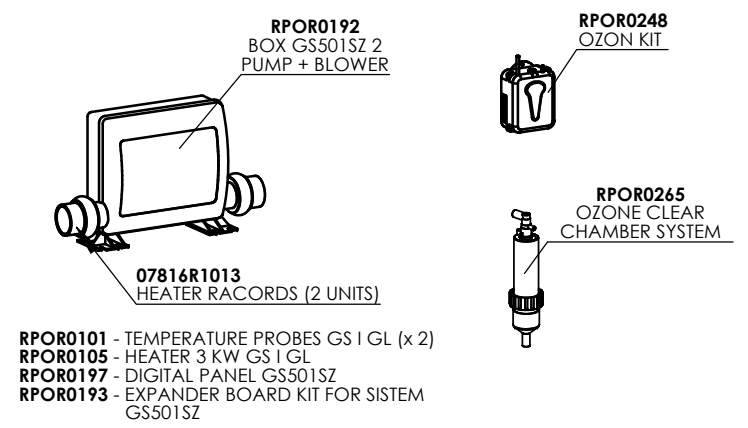
02	06/05/2015	I.Pozo	New spare template
01	15/05/2014	I.Pozo	Change furniture and drawing views
00	11/04/2011	J.Jorba	Drawing creation
Change No.	Date	Name	Modification
Remarks			COMMERCIAL
Dimensions in mm. General Tolerances +/- 10mm			
Drawn	11/04/2011	J.Jorba	
Checked	-	I.Nicolas	
Scale	1:15	General Tolerance	53861
Sheet	1/2	DIN 7168 ISO 2768g	
			02
			



PUMPS SPARE CODES



HEATER AND DESINFECTATION SPARE CODES



RPOR0101 - TEMPERATURE PROBES GS I GL (x 2)
 RPOR0105 - HEATER 3 KW GS I GL
 RPOR0197 - DIGITAL PANEL GS501SZ
 RPOR0193 - EXPANDER BOARD KIT FOR SISTEM GS501SZ

ACCESSORIES			
Position Num.	Part Nº SPARE	Description SPARE	Quant.
2	RPOR0225	GREY SPA DRAIN 2" ADAPTOR SOCKET D.50	4
4	REMP0046	WHITE-STAINLESS STEEL AIR NOZZLE	12
8	RPOR0003	GREY DRAIN SET - BODY+COVER+ASSEMBLY	1
10	RPOR0239	SPOTLIGHT LED SET RD	6
10.1	RPOR0240	MASTER LED LIGHT	1
10.2	RPOR0252	LED SLAVE LIGHT	5
11	RPOR0236	JET BODY SET RD 3"	23
12	RPOR0231	FRONTAL JET 3" STAINLESS STEEL DIRECTIONAL	11
13	RPOR0232	FRONTAL JET 3" STAINLESS STEEL 1 JET ROTO	10
14	RPOR0233	FRONTAL JET 3" STAINLESS STEEL TWIN ROTO	2
15	RPOR0235	JET BODY SET RD 2"	10
16	RPOR0230	FRONTAL JET 2" STAINLESS STEEL DIRECTIONAL	10
21	RPOR0264	AROMA DISPENSER ASM LIT	1
22	RPOR0238	SKIMERFILTER RD LOW PROFILE	1
25	RPOR0196	DIGITAL PANEL VL700+COVER 2 PUMP + BLOWER	1
25.1	RPOR0202	COVER DIGITAL PANEL VL700 2 PUMP + BLOWER	1
28	RPOR0032	SMALL HEADREST GREY	2
30	RPOR0156	SKIMFILTER COVER	1
38	RPOR0247	FILTER CARTRIDGE SKIMFILTER RD	1
44	RPOR0278	SS 7" WATERFALL	2
49	RPOR0136	DRAIN FILL VALVE (BLACK)	1
50	RPOR0267	4 LEDS LIGHTS POINTS	1
70	RPOR0280	LEDS TRANSFORMER 5V DC	1
71	RPOR0281	LEDS CONTROLER	1

LIGHT COMPONENTS SPARE CODES



Option 5 LED

According to our policy of continuous improvement, dimensions, features or components of this product can be partially or completely changed without prior notice. It's Customer responsibility to verify that this is the last version of the drawing

Change No.	Date	Name	Modification
02	06/05/2015	I.Pozo	New spare template
01	15/05/2014	I.Pozo	Change furniture and drawing views
00	11/04/2011	J.Jorba	Drawing creation

Remarks		SPARE PARTS DRAWING	
Dimensions in mm. General Tolerances +/- 10mm			
Drawn	11/04/2011	J.Jorba	Part Number 53861
Checked	-	I.Nicolas	
Scale	1:15	General Tolerance DIN 7168 ISO 2768g	Rev. 02
Sheet	2/2		First Angle Projection

